

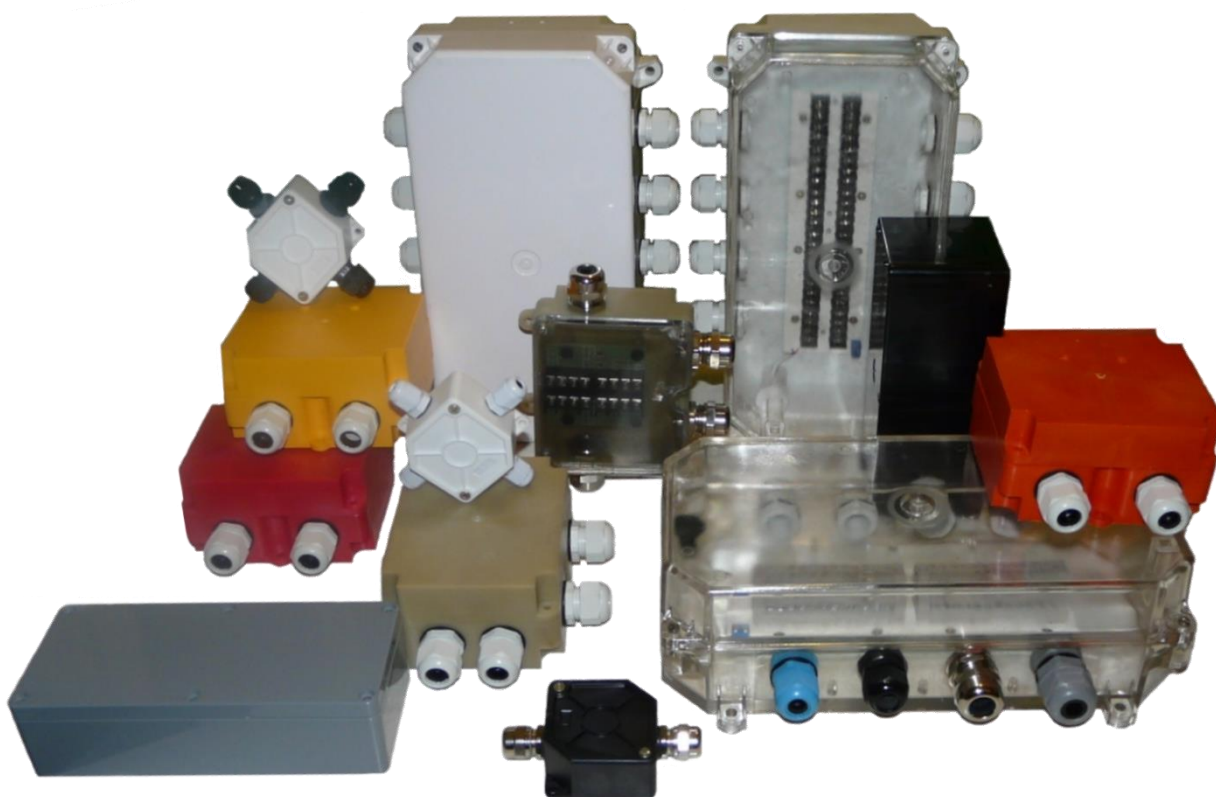


«MAGNITO-KONTAKT» Ltd

www.m-kontakt.com

E-mail: 451694@bk.ru

**JUNCTION BOXES
FOR HOUSEHOLD USE
COMMERCIAL-GRADE WITH IP65-69
EXPLOSION-PROOF**



Russia, 390027, Ryazan, Novaya St., 51B, un. H4,
Phone: +7(4912) 45-16-94, 45-37-88, 210-215; +7(495) 320-09-97

CONTENTS LIST

BLANK BOXES USB «SEVER» SERIES	p.1
USB «SEVER», BLANK BOX	
USB «SEVER», BLANK BOX compact	
USB-Ex «SEVER», BLANK BOX	

COUPLING DEVICES USB «SEVER» SERIES	pp.2-3
USB «SEVER», COUPLING DEVICE	
USB «SEVER», COUPLING DEVICE compact	
USB-T «SEVER», COUPLING DEVICE	
USB-Ex «SEVER», EXPLOSION-PROOF COUPLING DEVICE	

PLASTIC JUNCTION BOXES KSP «SEVER» SERIES	p.4
KSP «SEVER», PLASTIC JUNCTION BOX	
KSP-T «SEVER», PLASTIC JUNCTION BOX	

BLANK BOXES KBCK «SEVER» SERIES	pp.4-5
KVSK «SEVER», BLANK BOX	

JUNCTION BOXES KVSK «SEVER» SERIES	pp.5-6
KVSK «SEVER», JUNCTION BOX	
KVSK-Ex «SEVER», LARGE-SIZE EXPLOSION-PROOF JUNCTION BOX	

BLANK JUNCTION BOXES US-4 SERIES	p.7
US-4, BLANK JUNCTION BOX	

COUPLING DEVICES US-4 SERIES	pp.7-9
US-4, COUPLING DEVICE	
US-4T, COUPLING DEVICE	
US-4-Ex, COUPLING DEVICE	

BLANK PLASTIC BOXES IP67/195x80x75/«SEVER» SERIES	p.9
«SEVER», BLANK PLASTIC BOX IP67/195X80X75/	

SWITCHING RELAY DEVICES UKR SERIES	p.10
UKR-12B, SWITCHING RELAY DEVICE, IP66	
UKR-24B, SWITCHING RELAY DEVICE, IP66	
UKR-12B-TOGGLE SWITCH, SWITCHING RELAY DEVICE, IP66	
UKR-24B-TOGGLE SWITCH, SWITCHING RELAY DEVICE, IP66	

JUNCTION BOXES KS SERIES	pp.11-12
KS-2, JUNCTION BOX	
KS-4, JUNCTION BOX	
KS-3, JUNCTION BOX	
US 4X4/ 200, DOOR CORD	
US 4X4/ 300, DOOR CORD	
US 4X4/ 500, DOOR CORD	
US 4X4/ 400, DOOR CORD	

METAL JUNCTION BOXES SERIES	p.12
MKS «SEVER», METAL JUNCTION BOX	

BLANK BOXES USB «SEVER» SERIES

1. PRODUCT NAME

- **USB «SEVER», BLANK BOX PASHK.685552.001 TU**

A blank box with blank sides, IP66, standard cover -30mm high, sealed with silicone along the perimeter, 120x103x69mm (Fig.1)

- **USB «SEVER», BLANK BOX compact PASHK.685552.001 TU**

A blank box with blank sides, IP66, cover -10mm high, sealed with silicone along the perimeter, 120x103x50mm (Fig.2)

- **USB-Ex «SEVER», BLANK BOX ATFE.685552.001 TU**

A blank box with blank sides, IP55, explosion-proof (marking 0ExialICT6), sealed with silicone along the perimeter, 120x103x69mm (Fig.3)



Fig.1

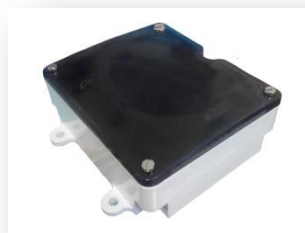
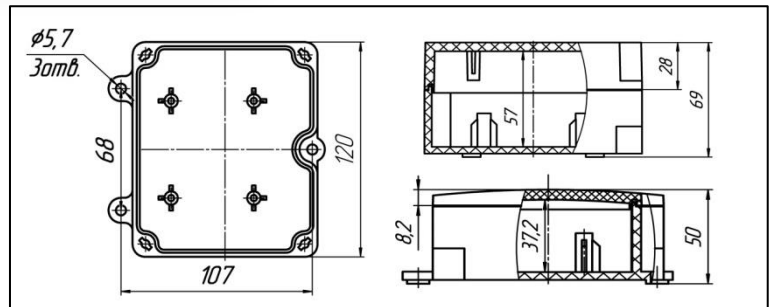
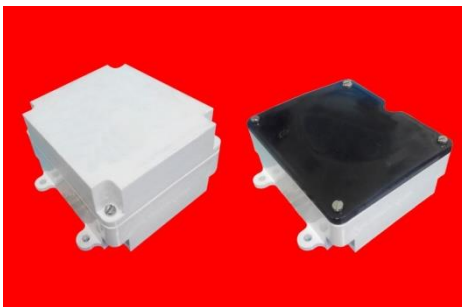


Fig.2



Fig.3

Two types of covers



2. SELECTION OF COVER DESIGN

- *Mat finish*



- *Glossy finish*



- *Transparent*



3. SELECTION OF BOX MATERIAL

4. SELECTION OF BOX COLOR

- Plastic • Polyamide • ABS plastic

- EITHER, at customer's request



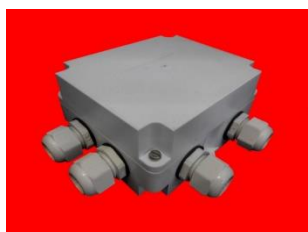
COUPLING DEVICES USB «SEVER» SERIES

1. PRODUCT NAME

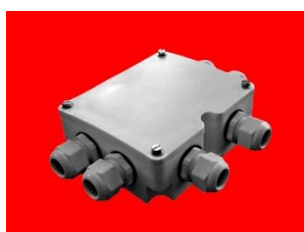
- USB «SEVER» COUPLING DEVICE ATFE.685552.001TU
- USB «SEVER» COUPLING DEVICE compact ATFE.685552.001TU
- USB-T «SEVER» COUPLING DEVICE ATFE.685552.001-01TU (TAMPER-PROOF)

Coupling devices, USB «SEVER» and USB «SEVER» compact, are designed for connection (fan out) of the following:

- electrical wiring in circuits with copper and aluminum cores,
- signal cables (in fire or security and fire alarm loops),
- communication lines and telecommunications,
- circuits in control and automation systems,
- connection of terminal devices into the loops (signaling sensors, customer communications equipment), etc.



•USB «SEVER»



•USB «SEVER» compact



•USB-T «SEVER»

TECHNICAL SPECIFICATIONS

ingress protection rating	IP66
operating temperature, °C	-55 ...+60
peak relative humidity at +40°C, %	max. 93
weight, kg	max. 0.5
average life, years	min.10

- USB-Ex «SEVER», EXPLOSION-PROOF COUPLING DEVICE ATFE.685552.001TU



The device is intended for use in hazardous areas, where explosive mixtures of gas and vapor with air can form under operating conditions, as well as in areas where explosive mixtures of dust and fibers with air can form under operating conditions. USB-Ex «SEVER» is designed to be enclosed in a housing made from ANTI-STATIC PLASTIC with surface resistance under 10^9 Ohm/cm².

TECHNICAL SPECIFICATIONS AND EXPLOSION-PROOF PARAMETERS

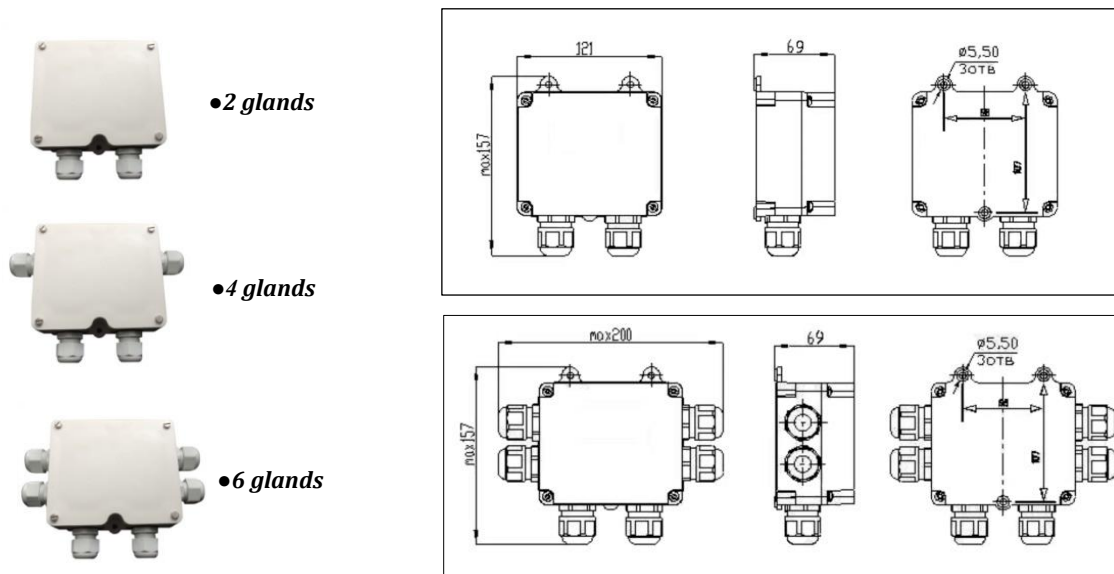
explosion-proof marking	0ExiaIICT6
material	anti-static plastic
ingress protection rating at least equal	IP55
operating temperature, °C	-40 ...+60
peak relative humidity at +40°C, %	max. 93
weight, kg	max. 0.5

average life, years	min.10
max input voltage U_i , V	30
max input current I_i , mA	100
max input power P_i , W	1.2
max internal capacity C_i , pF	50
max internal inductance L_i , μ H	10
transient resistance of two contacts, max Ohm	0.3

2. SELECTION OF DEVICE MATERIAL

•Polyamide •Polystyrol •ABS Plastic

3. SELECTION OF A NUMBER OF CABLE GLANDS •2 •4 •6



4. SELECTION OF CABLE GLAND MATERIAL (COLOR)



5. SELECTION OF A TYPE OF TERMINAL BLOCKS

Maximum voltage, current and cross-section of the connected conductors are determined by the type of terminal blocks installed in a coupling device. The device housing contains a printed circuit board with screw terminal blocks for connecting the conductors.



•terminal block T31 for a 300V, 10A, 2.5mm² board



•terminal block PM2 for a 400V, 24A, 2.5mm² board



•terminal block DG3 for a 300V, 16A, 1.5mm² board

6. SELECTION OF THE CONNECTED CABLE DIAMETER

Subject to customer approval, the device housing may be equipped with sealing cable glands to connect conductors with a diameter of 6-14mm.



PLASTIC JUNCTION BOXES KSP «SEVER» SERIES

1. PRODUCT NAME

- KSP «SEVER», PLASTIC JUNCTION BOX PASHK.685552.110 TU
- KSP-T «SEVER», PLASTIC JUNCTION BOX PASHK.685552.110-01TU (TAMPER-PROOF)

KSP «SEVER» junction box is designed to connect (fan out) the following:

- electrical wiring in circuits with copper and aluminum cores,
- signal cables, e.g. in fire or security and fire alarm loops,
- communication lines, telecommunications and circuits in control and automation systems,
- connection of terminal devices, e.g. signaling sensors and customer communications equipment ,into the loops, etc.



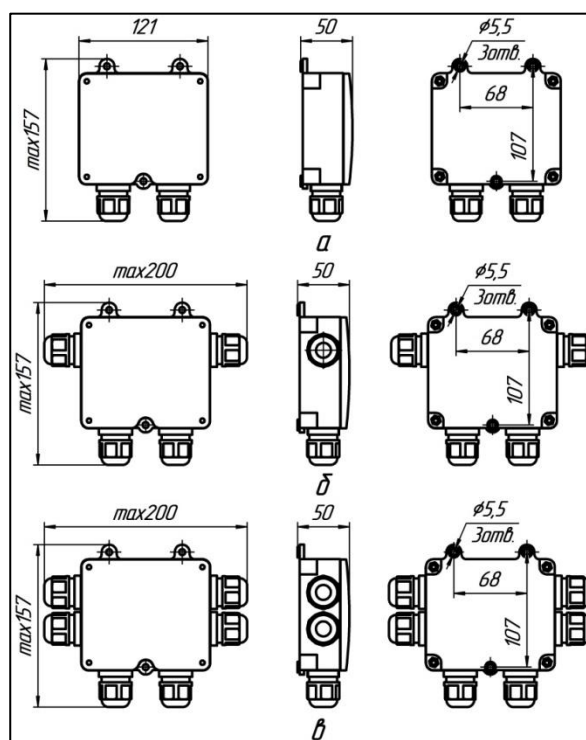
•KSP «SEVER»



•KSP-T «SEVER»

Terminal blocks are designed for 400V voltage, 30A current and 4mm² conductor section (AWG22-10).

KSP-T junction box is tamper-proof with sensor contacts output to a terminal block.



TECHNICAL SPECIFICATIONS

ingress protection rating	IP66
transient resistance of two contacts	max 0.30hm
operating temperature, °C	-55 ...+60
peak relative humidity at +40°C, %	max. 93
weight, kg	max. 0.5
average life, years	min.10

BLANK BOXES KVSK «SEVER» SERIES

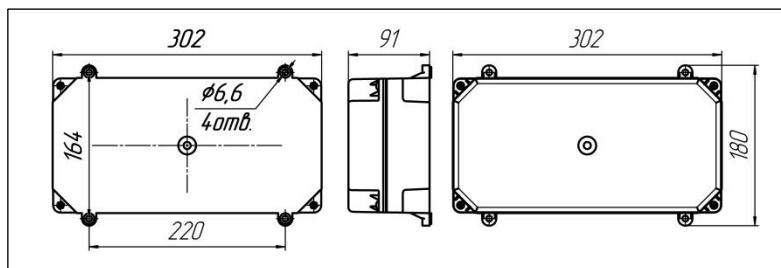
1. PRODUCT NAME

- KVSK «SEVER», BLANK BOX PASHK.685552.002 TU

A blank box with blank sides, IP55, standard cover –44mm high, sealed with silicone along the perimeter, 302x164x93mm.

- KVSK-Ex «SEVER», BLANK BOX PASHK.685552.002 TU

A blank box with blank sides, IP55, standard cover -44mm high, sealed with silicone along the perimeter, 302x164x93mm.



2. SELECTION OF COVER DESIGN

A removable cover of blank boxes KVSK «SEVER» is fixed with 4 stainless steel screws M4x20mm.

•Mat finish



•Glossy finish



•Transparent



3. SELECTION OF BOX MATERIAL •Polyamide •Polystyrol •ABS plastic

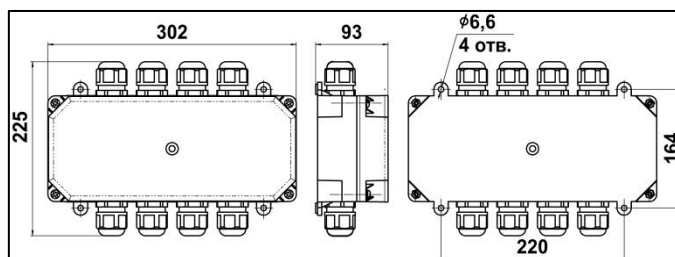
4. SELECTION OF BOX COLOR •EITHER, at customer's request

JUNCTION BOXES KVSK «SEVER» SERIES

1. PRODUCT NAME

• KVSK «SEVER», JUNCTION BOX PASHK.685552.002 TU

A junction box is designed to connect (fan out) signal cables, e.g. in fire or security and fire alarm loops, communication and telecommunication lines, circuits of control and automation systems, as well as to connect terminal equipment into the loop, etc.



TECHNICAL SPECIFICATIONS

overall dimensions, mm	302x225x93
ingress protection rating	IP55
transient resistance of two contacts	max 0.30hm
operating temperature, °C	-55 ...+60
peak relative humidity at +40°C, %	max. 93
weight,kg	max. 1.2
average life,years	min.10

• **KVSK-Ex «SEVER» LARGE-SIZE EXPLOSION-PROOF JUNCTION BOX PASHK.685552.002TU**



KVSK-Ex «SEVER» junction box is designed to connect (fan out) signal cables, e.g. in fire or security and fire alarm loops, communication lines and telecommunications, circuits of control and automation systems, as well as to connect terminal equipment, e.g. signaling sensors, customer communications equipment.

KVSK-Ex «SEVER» junction box is manufactured in black.

2. SELECTION OF DEVICE MATERIAL

•Polyamide •Polystyrol •ABS plastic

3. SELECTION OF A NUMBER OF CABLE GLANDS •2 •4 •6 •8

4. SELECTION OF CABLE GLAND MATERIAL (COLOR)

•Plastic



•Metal



• Sleeve VM-15



•Sleeve VM-20



• MKV
for a surface cable
for a pipe-type cable
for an armored cable
for a metal hose-type cable



5. SELECTION OF A TYPE OF TERMINAL BLOCKS

The device housing contains a printed circuit board with screw terminal blocks for connecting the conductors.



• terminal block T31
up to 4mm² (AWG 22-10)
300V 30A



• terminal block PM2
up to 2.5mm² (AWG 22-14)
300V 15A

The junction box is tamper-proof with sensor contacts output to a separate terminal block.

6. SELECTION OF THE CONNECTED CABLE DIAMETER

Device housing maybe equipped with:

- 8 sealing cable glands with connected cable diameter between 9 and 17mm,
- metal lead-in sleeves (VM) for metal hoses with grades,
- MKV stainless steel sealing cable glands designed for various cable laying options

Subject to customer approval, the product may be supplied with the following:

- cable glands with connected cable diameter between 9 and 14mm or 14 and 17mm,
- VM-15 lead-in sleeve with a 1/2" lead-in screw thread (metal hose nominal size -15mm),
- VM-20 lead-in sleeve with a 3/4" lead-in screw thread (metal hose nominal size -20mm),
- the device housing may be equipped with both plastic sealing cable glands and MKV glands, with various types of cable glands designed for connection of different cable types.



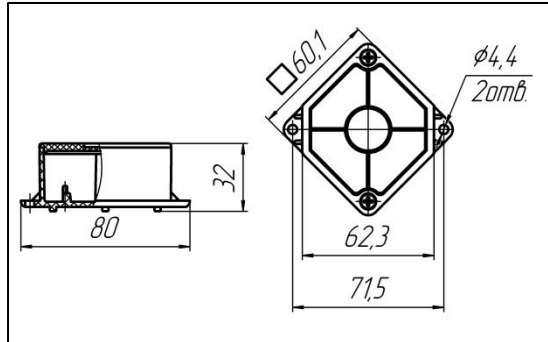
BLANK BOXES US-4 SERIES

1. PRODUCT NAME

- US-4, BLANK BOX PASHK.425212.050 TU

A blank box with blank sides, IP65, a standard cover -5mm high.

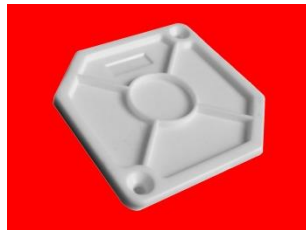
Product dimensions: 60x60x32mm.



2. SELECTION OF COVER DESIGN

Removable cover of blank boxes US-4 is fixed with 2 self-tapping screws.

- Mat finish



- Glossy finish



3. SELECTION OF BOX MATERIAL

- Polyamide
- Polystyrol
- ABS plastic

4. SELECTION OF BOX COLOR

- EITHER, at customer's request

COUPLING DEVICES US-4 SERIES

1. PRODUCT NAME

- US-4, COUPLING DEVICE PASHK.425212.050 TU

- US-4T, COUPLING DEVICE PASHK.425212.050-01 TU (TAMPER-PROOF)

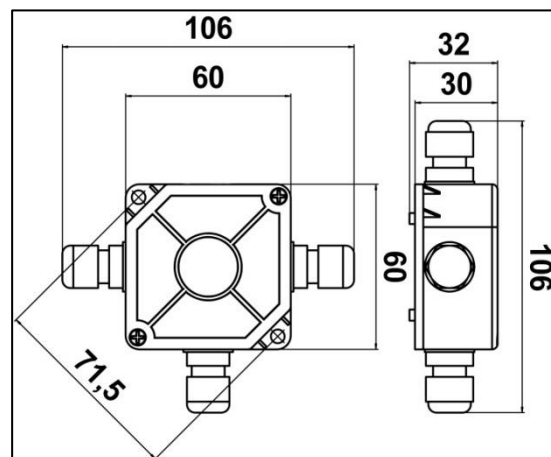
An explosion-proof coupling device US-4 is designed to connect the IP103-10/V fire alarms or similar devices into the alarm loop.



•US-4 coupling device



•US-4T coupling device



US-4T is tamper-proof with sensor contact output to a terminal block.

TECHNICAL SPECIFICATIONS

overall dimensions, mm	106x106x32
ingress protection rating	IP65
operating temperature, °C	-40 ...+60
peak relative humidity at +40°C, %	max. 93
weight, kg	max. 0.2

•US-4-Ex, COUPLING DEVICE PASHK.425212.050 TU



An explosion-proof coupling device US-4-Ex is designed to connect the IP103-10/V fire alarms or similar devices into the alarm loop.

The device explosion-proofness is ensured by the type of explosion protection "intrinsically safe electrical circuit 'i'" and the design complying with the requirements.

The device is intended for use in hazardous areas of rooms and outdoor units in accordance with explosion-proof marking.

US-4-Ex is designed to be enclosed in a housing made from ANTI-STATIC PLASTIC with surface resistance under 10^9 Ohm/cm^2 .

TECHNICAL SPECIFICATIONS AND INPUT IS PARAMETERS

overall dimensions, mm	106x106x32
explosion-proof marking	0ExiaIICT6
ingress protection rating	IP65
operating temperature, °C	-40 ...+60
peak relative humidity at +40°C, %	max. 93
weight, kg	max. 0.2
max input voltage U_i , V	25
max input current I_i , mA	200
max input power P_i , W	1.2
max internal capacity C_i , pF	50
max internal inductance L_i , μH	10
length of lead, m	1.0

2. SELECTION OF DEVICE MATERIAL •Polyamide •Polystyrol •ABS plastic

3. SELECTION OF A NUMBER OF CABLE GLANDS •2 •4

4. SELECTION OF CABLE GLAND MATERIAL (COLOR)

•Plastic

•Metal

COLORS OF CABLE GLANDS:



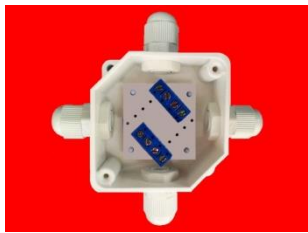
•White •Gray •Azure •Black
•Stainless steel •Nickel-plated brass



5. SELECTION OF A TYPE OF TERMINAL BLOCKS

Three device modifications are available.

The device housing contains a printed circuit board with screw terminal blocks for connecting the conductors.



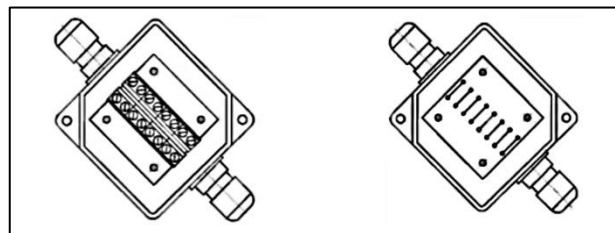
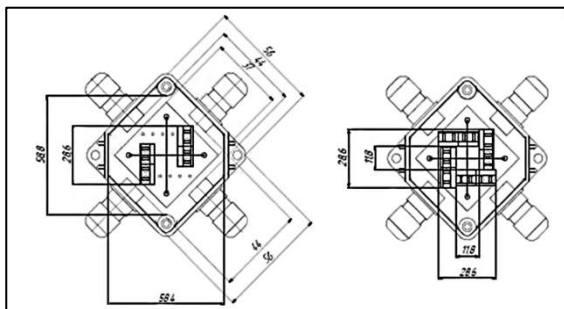
•(2x4) -a back plane with terminal strips and a number of connection sockets. 4sealed lead-ins.



•(4x4) -a back plane with terminal strips and a number of connection sockets. 4sealed lead-ins.



•(4x4) -a back plane with terminal strips and a number of connection sockets. 2sealed lead-ins.



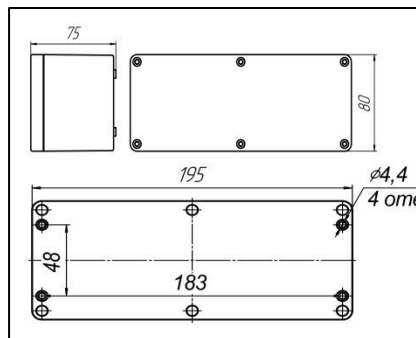
6. SELECTION OF THE CONNECTED CABLE DIAMETER

Cable glands of the US-4 coupling device provide a lead-in of the connected cable with diameter between 3 and 5.3mm.

BLANK PLASTIC BOXES IP67/195x80x75/ «SEVER» SERIES

1. PRODUCT NAME

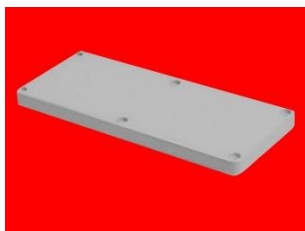
•«SEVER» BLANK PLASTIC BOX IP67/195X80X75/ ATFE.68552.003 TU
Blank box with blank sides, sealed with silicone along the perimeter, IP67, standard cover –11mm high, 195x80x75mm.



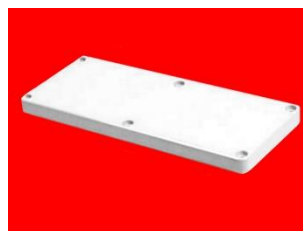
2. SELECTION OF COVER DESIGN

Removable cover of blank plastic boxes is fixed with 6 self-tapping screws.

• *Mat finish*



• *Glossy finish*



3. SELECTION OF BOX MATERIAL

4. SELECTION OF BOX COLOR

•Polystyrol •Polyamide •ABS plastic
•EITHER, at customer's request

SWITCHING RELAY DEVICES UKR SERIES

1. PRODUCT NAME

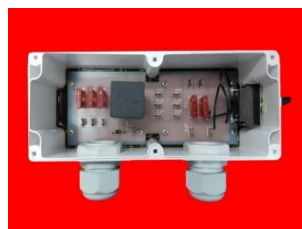
- UKR -12V, SWITCHING RELAY DEVICE, IP66 ATFE.425412.115 TU
- UKR -24V, SWITCHING RELAY DEVICE, IP66 ATFE.425412.116 TU
- UKR -12V-Toggle switch, SWITCHING RELAY DEVICE, IP66 ATFE.425412.115 TU
- UKR -24V-Toggle switch, SWITCHING RELAY DEVICE, IP66 ATFE.425412.116TU

The switching relay device is designed for switching 12V and 24V DC circuits in electrical systems of motor vehicles, systems of control over connection and disconnection of devices that are part of security or security and fire alarm systems, automation systems, etc.

•UKR -12/24V IP66



• UKR -12/24V-Toggle switch IP66



The device is designed to be enclosed in a plastic housing with a sealing cover. The device housing is equipped with sealing cable glands (2pcs.) for connection of cables with a diameter between 13 and 18mm.

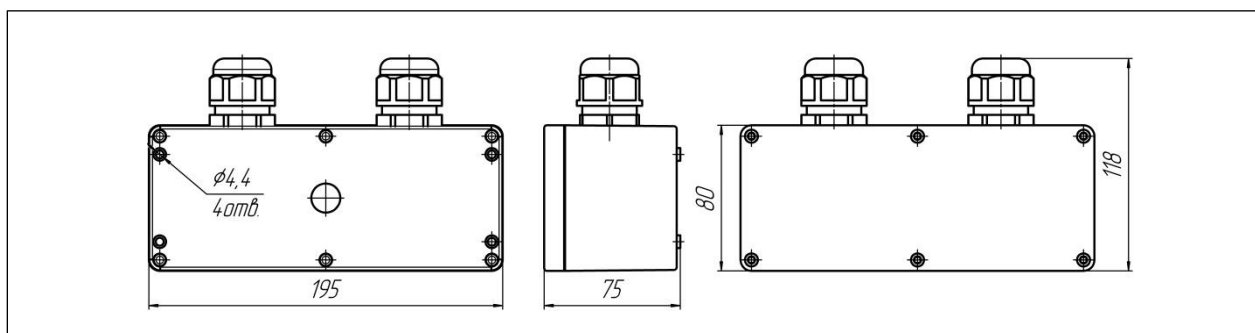
Number of circuits simultaneously switched using relay contacts –3.

Number of circuits switched by a separate toggle switch for manual connection of consumers –1.

The relay is activated by an external 12V or 24V signal.

Within the device housing, blade contacts XP4-XP8 ensure a “-” power supply for connecting consumers which do not have electrical connection to the used equipment housing.

The power supplied to all consumer circuits is protected by fuses.



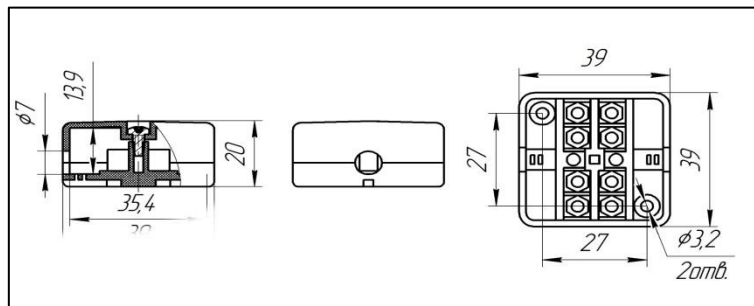
TECHNICAL SPECIFICATIONS

ingress protection rating	IP66
operating temperature, °C	-55 ...+60
peak relative humidity at +40°C, %	max. 93
weight, kg	max. 0.5
average life, years	min.8
switching current, A	0.5-15
switching power (UKR-12/24B), W	180/360
overall mounting dimension w/o toggle switch, mm	195x80x75
overall mounting dimension w/toggle switch, mm	222x80x75

JUNCTION BOXES KS SERIES

1. PRODUCT NAME:

- JUNCTION BOX, KS -2 (JB for two contacts) PASHK.685552.140 TU
- JUNCTION BOX, KS -3 (JB for three contacts) PASHK.685552.140 TU
- JUNCTION BOX, KS -4 (JB for four contacts) PASHK.685552.140 TU



2. SELECTION OF COLOR: ●White ●Gray ●Brown ●Terra cotta ●Black

US 4x4 DOOR CORDS

1. PRODUCT NAME:

- US 4X4/ 200, DOOR CORD (cable laid in a corrugated hose, length -200 +5mm)
 - US 4X4/ 300, DOOR CORD (cable laid in a corrugated hose, length -300 +5mm)
 - US 4X4/ 400, DOOR CORD (cable laid in a corrugated hose, length -400 +5mm)
 - US 4X4/ 500, DOOR CORD (cable laid in a corrugated hose, length -500 +5mm)
- PASHK.685552.140 TU



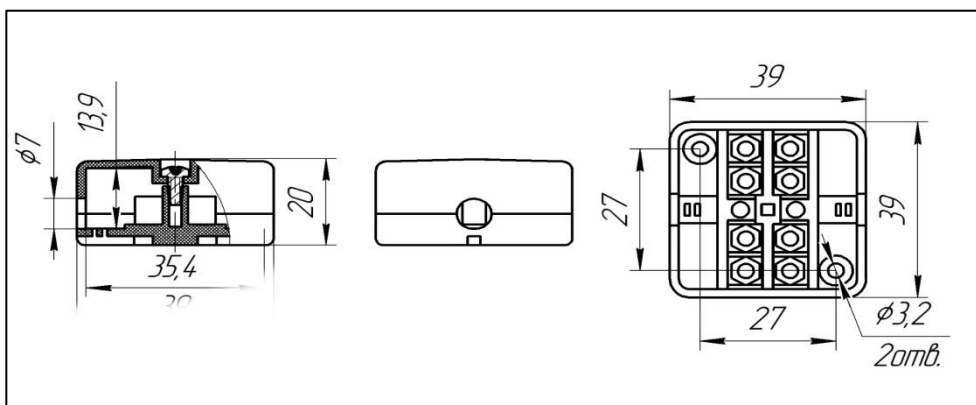
US 4x4 door cord is designed for mounting security and fire alarm systems, TV surveillance systems and other AC and DC circuits installed on openable/closable structural units (windows, doors).

Mechanically the device is two KS-4 junction boxes interconnected by a door cord.

Each junction box consists of a bottom plate, where four metal

contacts are located.

Loop wires are screwed between the contacts and nuts.



The bottom plate is lidded with a cover attached to it with a self-tapping screw.

2. SELECTION OF COLOR: ●White ●Gray ●Brown ●Terra cotta ●Black

TECHNICAL SPECIFICATIONS

current through device contacts	max. 0.5A
voltage applied to device contacts	max. 50V
power	max. 25W
operating temperature	-60 ... +70 C
transient resistance of two contacts	max. 0.30hm
number of switched circuits	4
number of points of wire coupling	8
electrical insulation resistance between current-carrying parts of device	min. 20mega Ohm
device weight	max. 50g
ingress protection rating	IP40

METAL JUNCTION BOXES

1. PRODUCT NAME

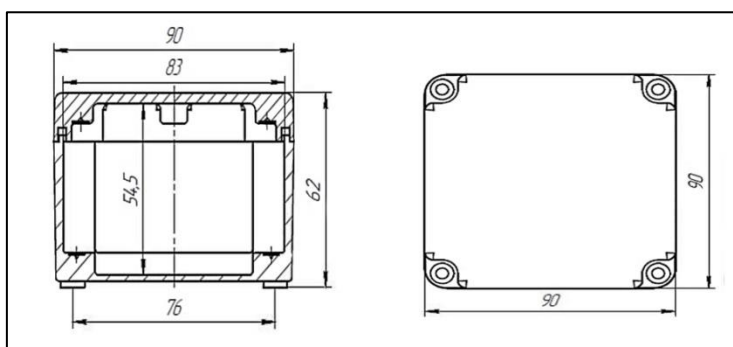
- MKS «SEVER», METAL JUNCTION BOX PASHK.685552.141TU



MKS «SEVER» junction box is designed to connect (fan out) the following:

- electrical wiring in circuits with copper and aluminum cores,
- signal cables, e.g. in fire or security and fire alarm loops,
- communication lines and telecommunications,
- circuits of control and automation systems, as well as for connection of terminal devices, such as signaling sensors and customer communications equipment, into the loops..

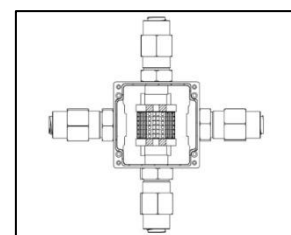
MKS «SEVER» box is designed to be enclosed in a housing made from aluminum alloy.



TECHNICAL SPECIFICATIONS

overall dimensions, mm	90x90x62
ingress protection rating	IP66/IP68
operating temperature, °C	-60 ... +85°C
weight, kg	max. 1
average life, years	min.10

The box may be equipped with up to four cable glands.
The housing may be equipped with MKB stainless steel sealing glands designed for various cable laying options: for surface cables, metal-hose-type cables, pipe-type cables and armored cables.



The box may be equipped with the following terminal blocks:

- PM2 up to 2.5mm² (AWG 22-14) 300V 15A,
- T31 up to 4mm² (AWG 22-10) 300V 15A,
- terminal blocks mounted on a DIN rail up to 4mm² (AWG 22-10) 300V 30A.





«MAGNITO-KONTAKT» Ltd

www.m-kontakt.com
e-mail: 451694@bk.ru

ORDER PLACEMENT
e-mail: 451694@list.ru

SALES DEPARTMENT
+7 (495)320-09-97

DISTRIBUTION DEPARTMENT
+7 (4912)45-16-94

ENGINEERING DEPARTMENT
+7 (4912)45-37-88



«MAGNITO-KONTAKT» Ltd

www.m-kontakt.com

e-mail: 451694@bk.ru

The research, development, and production company Magnito-Kontakt been in the business of molding plastic and aluminum alloy products for over 20 years.

We use our technologies to mold products of any shapes and in any number. We complete single-piece orders. Our company works with leading domestic and foreign primary producers.

Our products are made from anti-static plastic, used in potentially explosion hazardous areas, and polyamide, a heat-resistant, waterproof and wear-resistant material.

Production stages:

- design and manufacture of molds**
- test model moulding**
- delivery of the test model to the customer to confirm compliance with the order**
- molding a production lot**

Our vast molding experience allows for a quick and efficient fulfillment of your most challenging orders.

**Russia, 390027,
Ryazan, Novaya St., 51B, un.H4,
tel.: +7(4912)45-16-94, 45-37-88, +7(495)320-09-97**