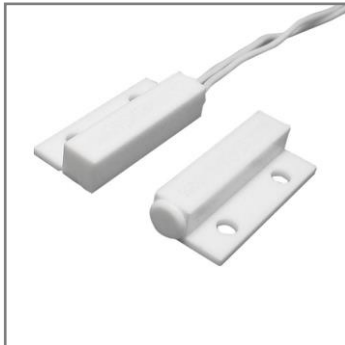




SECURITY MAGNETICALLY CONTACT DETECTOR IO 102-4



Description

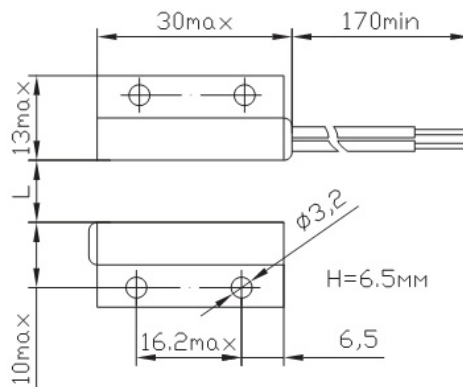
IO 102-4 security magnetically contact detector is designed for locking doorways and windows, arranging "trapping" medium as well as locking other elements of buildings with an alarm signal raised to a control panel, concentrator or central surveillance system by opening reed switch contacts. Detector consists of a reed sensor and driving element (magnet) in plastic housing. It is designed for continuous operation

Installation:

Ø3x(12...15)mm screws are applied to the wooden surface. Installation onto the metal surface is performed with the help of wooden, cloth laminate layer, etc. with thickness of 25-30 mm. It is glued onto the glass surface. Sensor leads are connected to the line by twisting and soldering with insulation followed.

Dimensions

Dimensions in mm



Specifications

Switching voltage range, V	0,05-72
Switching current range, mA	0,1-250
Switching power, W, max	10
Life min	10 ⁶
Output electrical resistance	
• at closed contacts (at (100±10)mA), Ohm, max	0,5
• at open contacts, kOhms, min	200
If sensor and magnet are located parallel contacts should be:	
• closed – at the distance between them, mm	≤10
• open – at the distance between them, mm	≥45
Allowable offset of sensor and magnet, mm, max	3
Insulation resistance between leads of sensor:	
• in normal climatic conditions, Ohms, min	5 · 10 ⁶
• at high relative humidity 98%, Ohms, min	2 · 10 ⁵
Breakdown voltage between sensor leads and case, V _{AC} / V _{DC} , min	500 / 700
Operating temperature range, °C	-50 ... +50
High humidity at +25 °C, %, max	98
Vibration proof at 10 to 35 Hz, m·sec ⁻² (g), max	4,9 (0,5)
Failure time, h, min	200000
Life time, years, min	8
Weight, g, max	8,8