



PINPOINT SECURITY MAGNETICALLY CONTACT DETECTOR IO 102-40K (for sewer hatches)

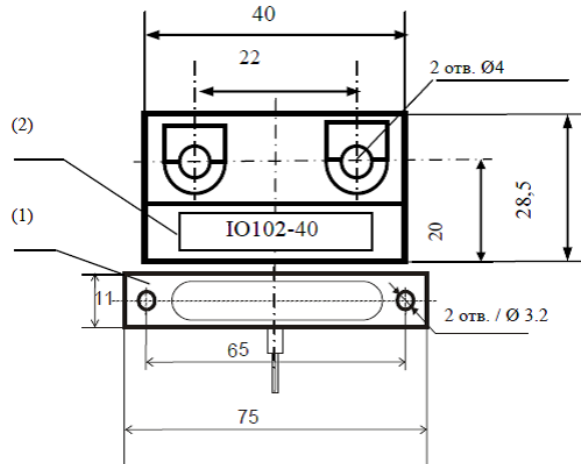


Description

Detectors IO 102-40K are designed to block sewer manholes, gates, railway containers, and other structural elements of buildings and structures made of non-magnetically conductive and magnetically conductive materials (steel, cast iron, galvanized iron, etc.) , For opening or shifting with the "Alarm" signal to the receiving control device, the concentrator or the central monitoring station.

Dimensions

Dimensions in mm



Electrical characteristics

Switching current	≤0,5A
Switching voltage	≥72V
Switching power max	10W,VA
Dimensions	Sensor - 75*11,5*9mm Magnet - 40*28,5*25mm
Weight	Sensor - 0,02kg Magnet - 0,15kg
Operating temperature	-50...+50°C
Humidity	98%
Contact resistance	0,5 Ω

Technical data

Execution type	Design feature	Reed switch type	Outlet type & length
-01	metal housing	normally open contact	Ø3,0mm, 400mm
-02	metal housing	changeover contact	Ø3,5mm, 400mm

Execution type	Distance between the sensor and magnet in the closed (switched) condition	Distance between the sensor and the magnet in the open (not switched) state
-01	≤15mm	≥25mm
-02	≤12mm	≥25mm